

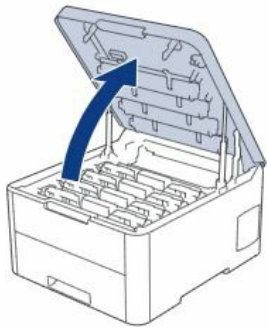
# How to replace or install the drum unit HLL3210CW HLL3230CDW

After replace the drum unit you need to reset the printer, please check page 3 for more detail

To replace or install the drum unit, follow the steps listed below:

1. Make sure the machine is turned on.


2. Open the top cover until it locks in the open position.



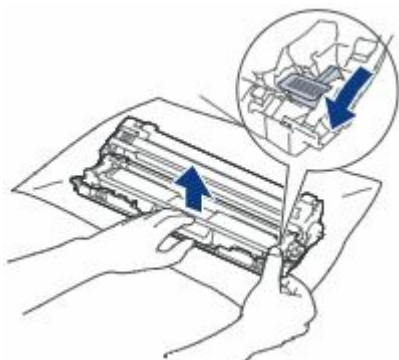
 *If you've just used the machine, its internal parts will be extremely hot. Wait for the machine to cool down before touching any internal parts.*

3. Remove the drum unit and toner cartridge assembly for the color you're replacing (the color that needs to be replaced will be shown on the machine's display).

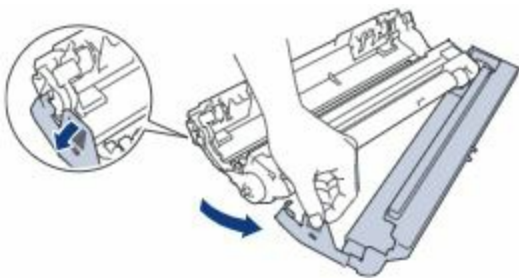


 *We recommend placing the drum and toner assembly on a clean, flat surface with disposable paper underneath it in case you accidentally spill or scatter toner.*

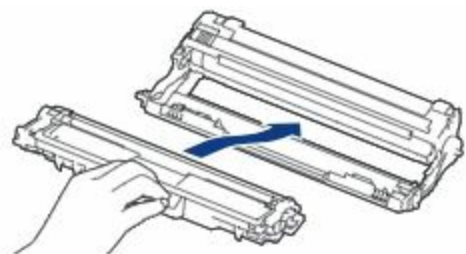
4. Push down the green lock lever and remove the toner cartridge from the drum unit.




5. Unpack the new drum unit and remove the protective cover.

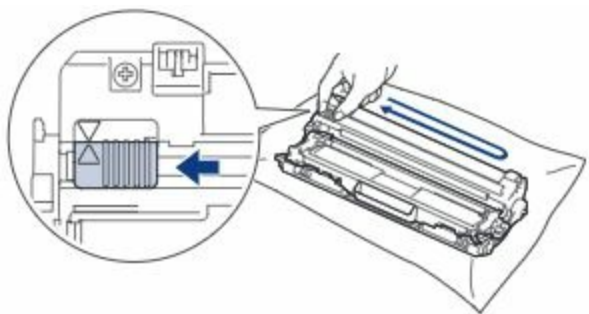



6. Reinsert the toner cartridge firmly into the new drum unit until you hear it lock into place.



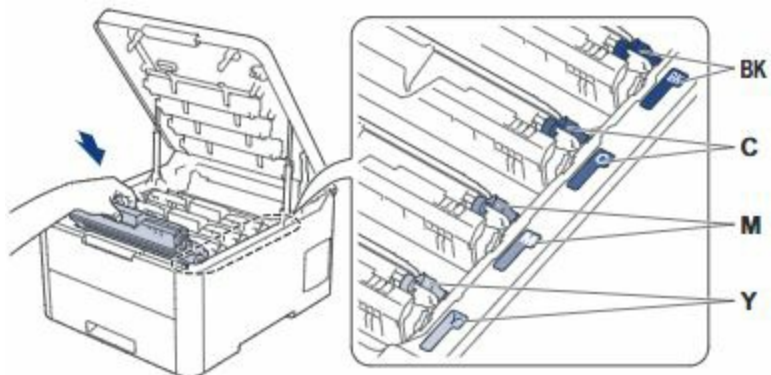
 *Make sure you put the toner cartridge in correctly or it may separate from the drum unit.*

7. Clean the corona wire inside the drum unit by gently sliding the green tab from left to right and right to left several times. Repeat this for all the corona wires.



 *Be sure to return the green tab to the Home position (▲). The arrow on the tab must be aligned with the arrow on the drum unit. If it's not, printed pages may have a vertical stripe.*

8. Slide the drum unit and toner cartridge assemblies into the machine. Make sure that you match the toner cartridge color to the same color label on the machine.



9. Close the machine's top cover.

10. Reset the drum counter:

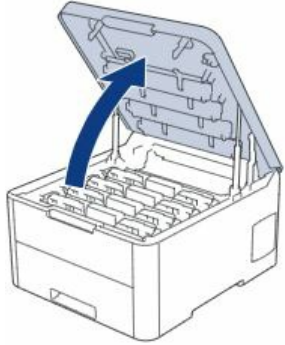
- a. Make sure the machine's cover is closed.
- b. Press **OK** and **▲** at the same time.
- c. Press **OK** to select **Drum**.
- d. Select the toner color for the drum you just replaced, then press **OK**.
- e. Select **▲** for **Reset**.




# How to replace or install the drum unit HL-L3270CDW

After replace the drum unit you need to reset the drum counter, please check page 3 for more detail


1. Make sure the machine is turned on.
2. Open the top cover until it locks in the open position.



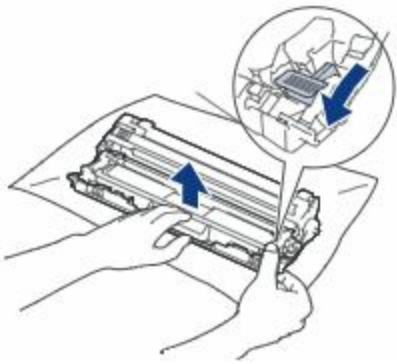
 *If you've just used the machine, its internal parts will be extremely hot. Wait for the machine to cool down before touching any internal parts.*

3. Remove the drum unit and toner cartridge assembly for the color you're replacing (the color that needs to be replaced will be shown on the machine's display).

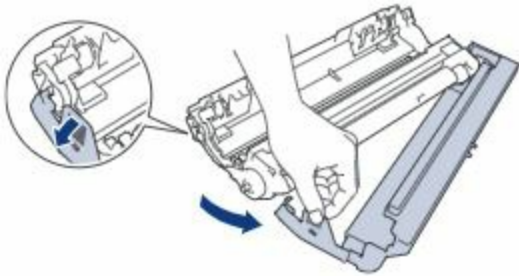


 *We recommend placing the drum and toner assembly on a clean, flat surface with disposable paper underneath it in case you accidentally spill or scatter toner.*

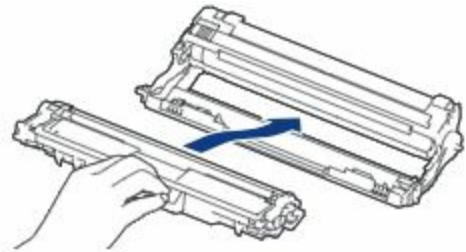
4. Push down the green lock lever and remove the toner cartridge from the drum unit.




5. Unpack the new drum unit and remove the protective cover.

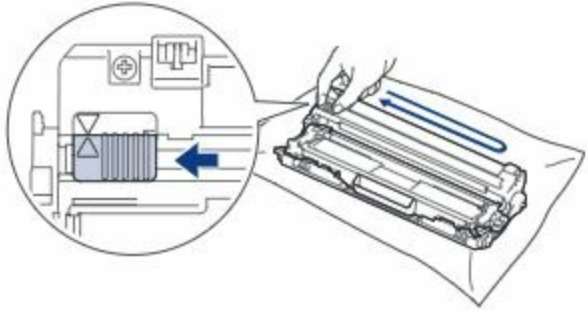


6. Reinsert the toner cartridge firmly into the new drum unit until you hear it lock into place.



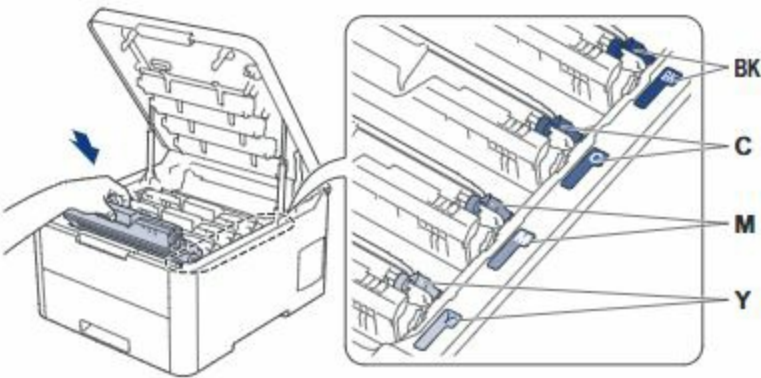
 *Make sure you put the toner cartridge in correctly or it may separate from the drum unit.*

7. Clean the corona wire inside the drum unit by gently sliding the green tab from left to right and right to left several times. Repeat this for all the corona wires.




*Be sure to return the green tab to the Home position (▲). The arrow on the tab must be aligned with the arrow on the drum unit. If it's not, printed pages may have a vertical stripe.*

8. Slide the drum unit and toner cartridge assemblies into the machine. Make sure that you match the toner cartridge color to the same color label on the machine.



9. Close the machine's top cover.

10. Reset the drum counter:

- a. Make sure the machine's cover is closed.
- b. Press and hold  (Toner) on the Touchscreen for approximately five seconds.
- c. Press **Drum**.
- d. Select the toner color for the drum you just replaced.
- e. Press **Yes**.

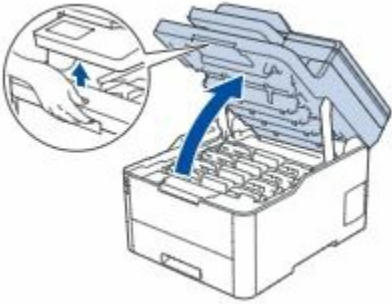





## How to replace or install the drum unit MFCL3710CW MFCL3750CDW MFCL3770CDW

After replace the drum unit you need to reset the printer, please check page 3 for more detail


1. Make sure the machine is turned on.
2. Open the top cover until it locks in the open position.



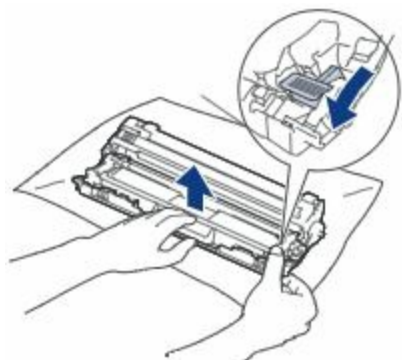
 *If you've just used the machine, its internal parts will be extremely hot. Wait for the machine to cool down before touching any internal parts.*

3. Remove the drum unit and toner cartridge assembly for the color you're replacing (the color that needs to be replaced will be shown on the machine's display).

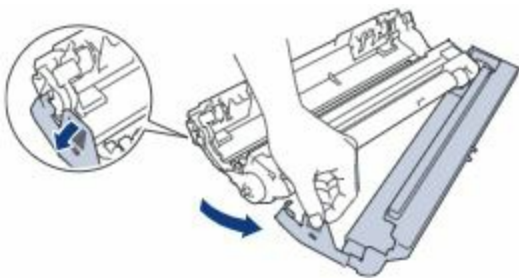


 *We recommend placing the drum and toner assembly on a clean, flat surface with disposable paper underneath it in case you accidentally spill or scatter toner.*

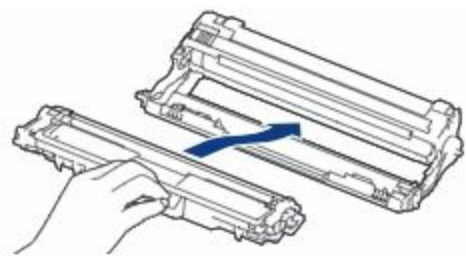
4. Push down the green lock lever and remove the toner cartridge from the drum unit.




5. Unpack the new drum unit and remove the protective cover.

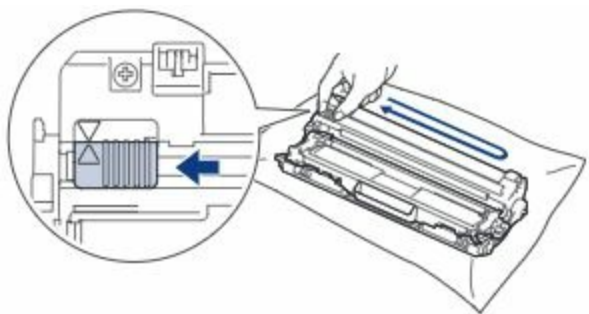



6. Reinsert the toner cartridge firmly into the new drum unit until you hear it lock into place.



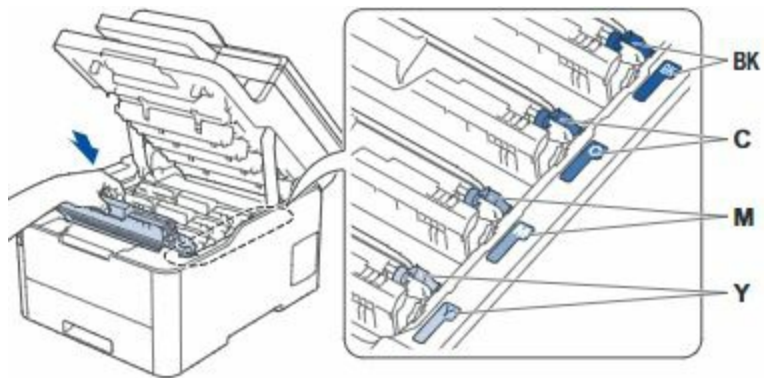
 *Make sure you put the toner cartridge in correctly or it may separate from the drum unit.*

7. Clean the corona wire inside the drum unit by gently sliding the green tab from left to right and right to left several times. Repeat this for all the corona wires.



 *Be sure to return the green tab to the Home position (▲). The arrow on the tab must be aligned with the arrow on the drum unit. If it's not, printed pages may have a vertical stripe.*

8. Slide the drum unit and toner cartridge assemblies into the machine. Make sure that you match the toner cartridge color to the same color label on the machine.



9. Close the machine's top cover.

10. Reset the drum counter:

a. Make sure the machine's cover is closed.

b. Press and hold  (Toner) on the Touchscreen for approximately five seconds.

c. Press **Drum**.

d. Select the toner color for the drum you just replaced.

e. Press **Yes**.

